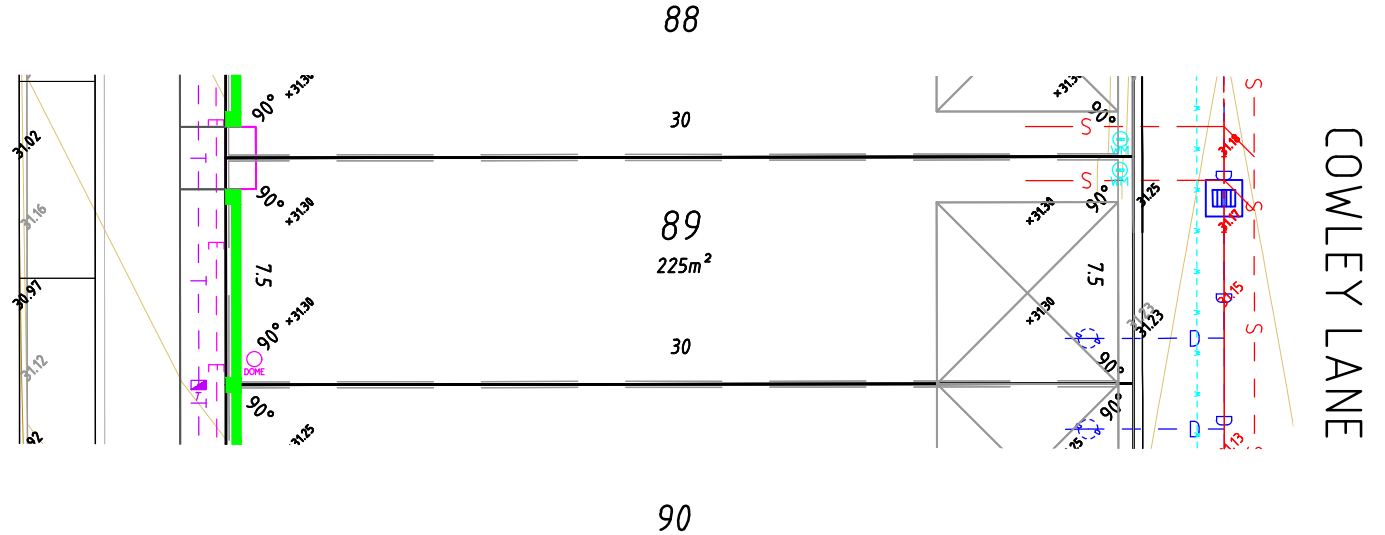


LEGEND

- ROAD CENTRELINE
- KERB TOP
- KERB BOTTOM
- FOOTPATH
- RETAINING/PLINTH WALL
- PAD EXTENT
- E ELECTRIC CABLE U/G
- T TELECOM CABLE U/G
- W WATER PIPE U/G
- S SEWER PIPE U/G
- D DRAINAGE PIPE U/G
- SUBSOIL PIPE U/G
- BOUNDARY LINE
- WATER METER
- + PAD LEVEL
- DRAINAGE MANHOLE / STRUCTURE
- SEWER MANHOLE
- ELECTRIC LIGHT POLE
- ELECTRIC DOME
- TELECOM PIT OR BOX
- WATER VALVE
- WATER HYDRANT
- SUBSOIL STRUCTURE
- STEPS/STAIRS

PARTRIDGE STREET



NOTES

The service and engineering information shown is from design drawings and should not be construed as being the "As-Constructed" details.

It is acknowledged that the dimensions and areas, as well as the location of services and the existence and width of easements are subject to change in accordance with the requirements of any relative Authority. The particulars of this plan are supplied for information only representing the facts at the time of printing and may change. The particulars shall not be taken as a representation in any respect on the Vendor or its Agent. Authorities should be consulted in relation to any limitations or requirements as building restrictions may apply.

SCALE 1:250



Survey Date: N/A	Surveyed By: N/A
Drawn Date: 04/09/2017	Drawn By: TVW
Scale (A4): 1:250	Approved By: STP
Hor Datum: PCG94	Vert Datum: AHD
Data File: VARIOUS	
CAD File: 170831_Ariella_Estate_St4_DSP_Master.dwg	
Path: S:\Projects\16\16561\survey\design site plans\Stage 4	



WESTERN AUSTRALIA
T 08 6241 3333
veris.wa@veris.com.au
www.veris.com.au



DEVELOP WITH CONFIDENCE™

Client: CEDAR WOODS

DESIGN SITE PLAN

LOT 89 PARTRIDGE STREET
ARIELLA PRIVATE ESTATE

BRABHAM

This plan must not be reproduced without the permission of VERIS

Job No	Item No	Plan No	Rev
16561 - 000 - 214 - 00			

Sheet 1 of 1



Rev.	Description	Drawn	Date	App'd