

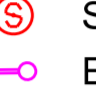






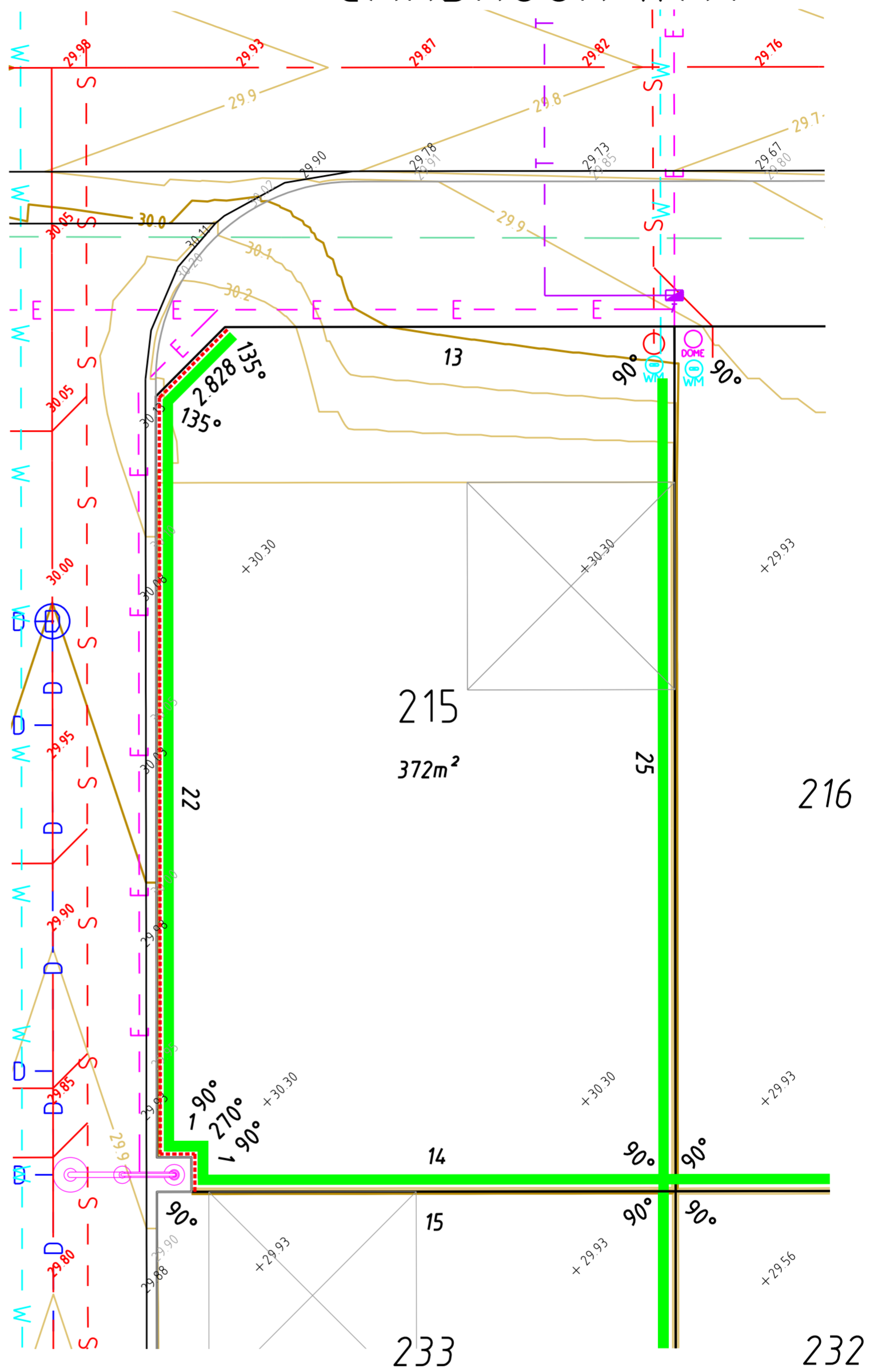


# LEGEND

- - - - - NO VEHICLE ACCESS
- - - - - ROAD CENTRELINE
- — — — — KERB TOP
- — — — — KERB BOTTOM
- — — — — FOOTPATH
- — — — — RETAINING WALL
- - - - - PAD EXTENT
- - - - - E ELECTRIC CABLE U/G
- - - - - T TELECOM CABLE U/G
- - - - - W WATER PIPE U/G
- - - - - S SEWER PIPE U/G
- - - - - D DRAINAGE PIPE U/G
- - - - - SUBSOIL PIPE U/G
- — — — — BOUNDARY LINE
-  WATER METER
- + PAD LEVEL
-  DRAINAGE MANHOLE / STRUCTURE
-  SEWER MANHOLE
-  ELECTRIC LIGHT POLE
-  ELECTRIC DOME
-  TELECOM PIT OR BOX
-  WATER VALVE
-  WATER HYDRANT
-  SUBSOIL STRUCTURE

## CARBROOK WAY

## ROEBUCK LANE



### NOTES

The service and engineering information shown is from design drawings and should not be construed as being the "As-Constructed" details.

It is acknowledged that the dimensions and areas, as well as the location of services and the existence and width of easements are subject to change in accordance with the requirements of any relative Authority. The particulars of this plan are supplied for information only representing the facts at the time of printing and may change. The particulars shall not be taken as a representation in any respect on the Vendor or its Agent. Authorities should be consulted in relation to any limitations or requirements as building restrictions may apply.

SCALE 1:250



ALL DISTANCES ARE IN METRES

Survey Date: N/A      Surveyed By: N/A  
 Drawn Date: 24/1/2019      Drawn By: TVW  
 Scale (A4): 1:250      Approved By: STP  
 Hor Datum: PCG94      Vert Datum: AHD



Data File: VARIOUS  
 CAD File: 190123\_Ariella\_Estate\_St7\_DSP\_Master.dwg  
 Path: S:\Projects\16\16561\survey\design site plans\Stage 7

WESTERN AUSTRALIA  
 T 08 6241 3333  
 veris.wa@veris.com.au  
 www.veris.com.au



DEVELOP WITH CONFIDENCE™

Client: CEDAR WOODS

### DESIGN SITE PLAN

LOT 215 CARBROOK WAY  
 ARIELLA PRIVATE ESTATE  
 BRABHAM

This plan must not be reproduced without the permission of VERIS

Job No	Item No	Plan No	Rev
16561 - 000 - 429 - 00			
Sheet			1 of 1

